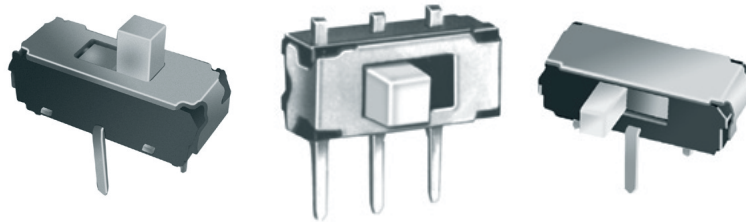


SLIDE switch

**Snap-in & Surface
mount Type (9 X 3.6 mm)**

MODEL NO.
1235 Series



Features

Snap-in & Surface mount type slide switch.

Outline dimension 9.0mm x 3.6mm

Vertical and Horizontal operating direction.

Applications

For selecting modes of digital camcorders, digital cameras.

Office devices, Sound devices, TV set, DVD set.

Operating signal input switches, etc.

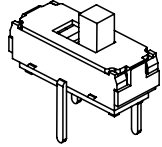
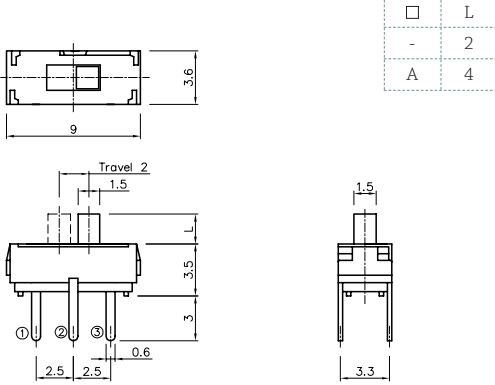
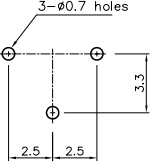
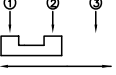
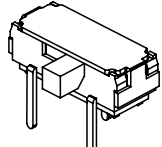
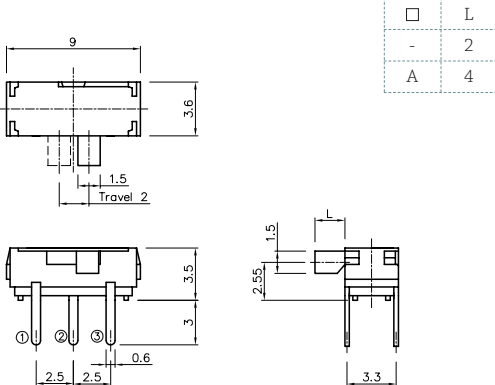
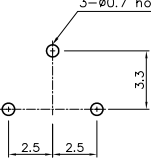
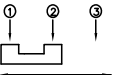
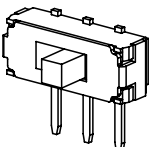
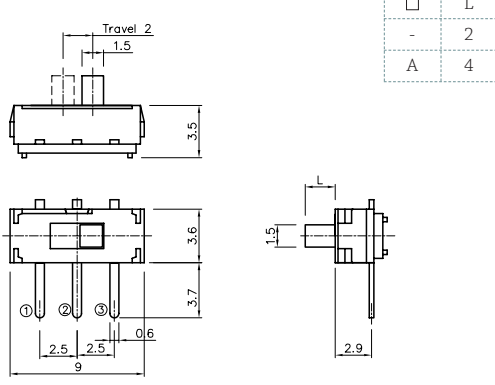
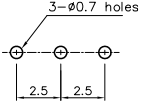
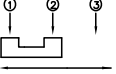
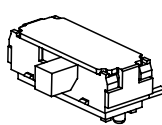
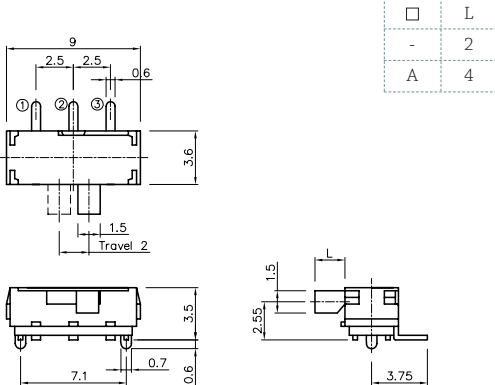
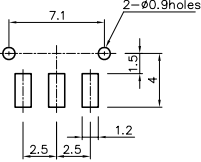


Main Specifications

Rating	0.3A 6V DC
Travel	2mm
Contact Resistance	70 mΩ max. (After lifetime : 130 mΩ max.)
Operating temperature	-20℃ ~ 70℃(45% ~ 85% RH)
Operating Force	200gf
Operating Life	10,000 Cycles

Subsidiary Production Code

Code number	Knob Thickness	Knob Length	Guide Boss	Drawing
1235	Vertical	Snap-in	Without	1
1245	Horizontal			2
1260		SMT	With	3
1280	4			

No.	3D	Dimension Type	P.C.B pattern dimension
1		<p style="text-align: center;">1235□</p> <p>Unit : mm</p> 	 <p style="text-align: center;">Circuit Diagram</p> 
2		<p style="text-align: center;">1245□</p> <p>Unit : mm</p> 	 <p style="text-align: center;">Circuit Diagram</p> 
3		<p style="text-align: center;">1260□</p> <p>Unit : mm</p> 	 <p style="text-align: center;">Circuit Diagram</p> 
4		<p style="text-align: center;">1280□</p> <p>Unit : mm</p> 	 <p style="text-align: center;">Circuit Diagram</p> 