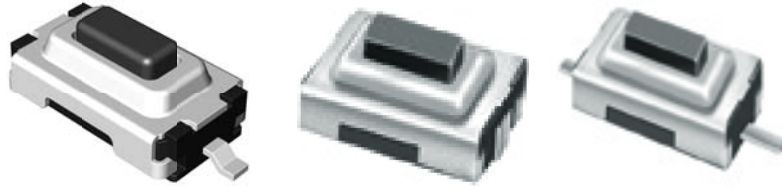


TACT switch

Surface mount Type (6 X 3.6 mm)

MODEL NO.
1181 Series



Features

Surface mount type tact switch.

Outline dimension 6.0mm x 3.6mm and 2.5 mm height.

Dust & Moisture protective structure.

Applications

Various controls for devices in automotive.

Controls for image/sound devices, radio equipment.

Operating signal input switches, etc.

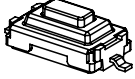
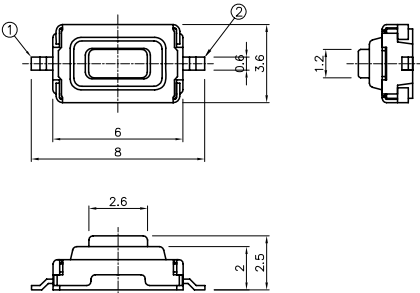
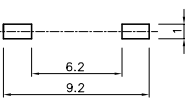
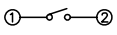
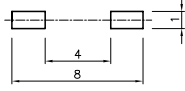
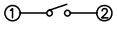

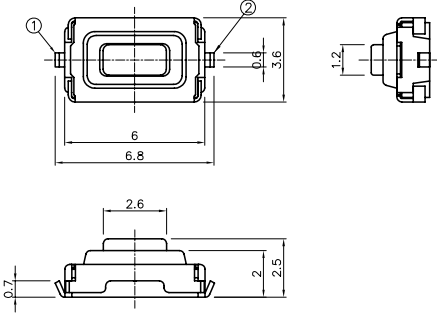
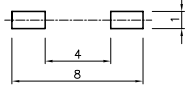
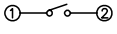
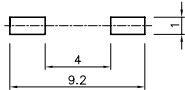
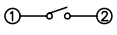

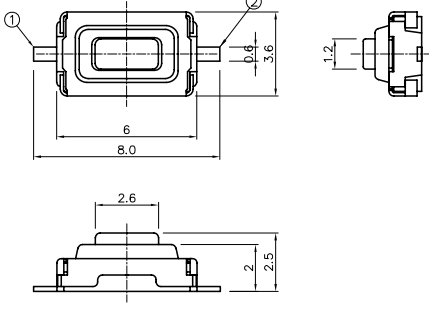
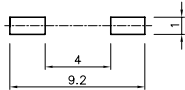
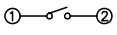


Main Specifications

| | | | |
|-----------------------|------------------------------|-------|---------------|
| Rating | 50mA 12V DC | | |
| Travel | 0.25±0.1mm | | |
| Contact Resistance | 100 mΩ max. | | |
| Operating temperature | -20°c ~ 70°c(45% ~ 85% RH) | | |
| Bounce | 10 m sec max. | | |
| Operating Force | 130gf | 180gf | 250gf |
| Operating Life | 50,000 Cycles | | 30,000 Cycles |

Subsidiary Production Code

| Code number | Operating direction | Terminal Shape | Soldering Type | Drawing |
|-------------|---------------------|----------------|----------------|---------|
| 1181 | Vertical | S-bent | SMT | 1 |
| 1181U | | J-bent | | 2 |
| 1181F | | Flate | | 3 |

| No. | 3D | Dimension Type | P.C.B pattern dimension |
|-----|---|--|--|
| 1 |  | <p style="text-align: center;">1181</p> <p>Unit : mm</p>  |  <p>Circuit Diagram</p>  |
| | |  <p>Circuit Diagram</p>  | |
| 2 |  | <p style="text-align: center;">1181U</p> <p>Unit : mm</p>  |  <p>Circuit Diagram</p>  |
| | |  <p>Circuit Diagram</p>  | |
| 3 |  | <p style="text-align: center;">1181F</p> <p>Unit : mm</p>  |  <p>Circuit Diagram</p>  |
| | | | |